

Why SKF?

SKF Explorer single row angular contact ball bearings

Designed to accommodate simultaneously acting radial and axial loads, SKF Explorer single row angular contact ball bearings incorporate features that enable these bearings to run cooler and smoother thereby reducing lubricant consumption and extending bearing service life by as much as 300 %.

In addition to the different redesigned cage variants, PEEK cages are also available. These cages combine the advantages of light-weight plastic with the durability and performance of brass. SKF Explorer single row angular contact ball bearings are manufactured to P6 dimensional accuracy and P5 running accuracy. These bearings are made for universal matching and have the proper clearance or preload built right in. This can simplify installation, dramatically increase machine uptime and decrease maintenance costs.

Product features

- P5 running accuracy and P6 dimensional accuracy
- Unique raceway-shoulder transition
- Improved polyamide cage
- Unique heat treatment
- Universally matchable

User benefits

- Extended bearing service life
- Less sensitive to heavy axial loads
- Improved wear-resistance
- Reduced lubricant consumption
- Reduced noise and vibration levels
- Reduced heat generated by the bearing

Common applications

- Compressors
- Pumps
- Fans and blowers
- Industrial gearboxes



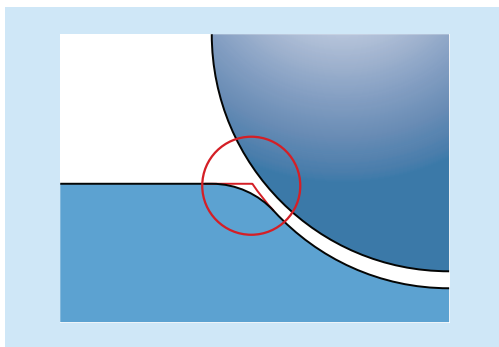
Higher speeds, less heat

SKF Explorer single row angular contact ball bearings have been enhanced with an improved cage design that provides better ball guidance, maximizes the effects of the lubricant, reduces friction and enables the bearing to run cooler than standard designs. The improved design provides benefits including lower operating temperatures, higher speed capability and acceleration, an increased safety factor and extended service life.



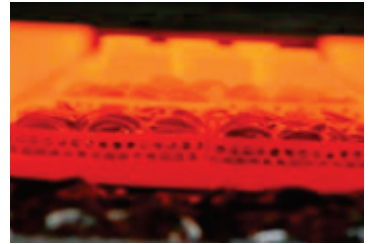
Improved raceway-shoulder transition

The ground transition between the bearing raceway and shoulder reduces contact and edge stresses, making SKF Explorer single row angular contact ball bearing capable of carrying increased thrust loads. This unique transition design also provides extended bearing service life and a higher safety factor.



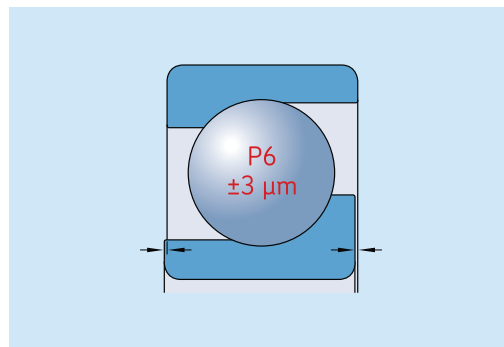
Unique heat treatment

Manufactured from ultra-clean steel and using a unique heat treatment process, SKF Explorer double row angular contact ball bearings offer maximum hardness for optimum wear-resistance, and dimensional stability up to +150 °C for longer service life. Additional benefits include an increased safety factor and increased uptime.



Universal matchable bearings

SKF Explorer single row angular contact ball bearings can always be universally matched. With preload or clearance built into the bearing, universal matching provides equal load sharing in a bearing set, which extends bearing service life. Using SKF Explorer universally matchable bearings helps to reduce installation errors and premature bearing failures while reducing inventories.



Improved running accuracy

SKF has upgraded the balls in SKF Explorer double row angular contact ball bearings, to improve running accuracy and reduce heat, vibrations and noise levels generated by the bearing. The upgraded balls also contribute to decreased lubricant consumption and longer bearing service life.



An SKF Documented Solution specialist can show you the approximate return on investment (ROI) you can expect to receive by using this product in your application. Ask your SKF Authorized Distributor or SKF representative for more details.

skf.com

© SKF is a registered trademark of the SKF Group.
™ SKF Explorer is a trademark of the SKF Group.

© SKF Group 2008

The contents of this publication are the copyright of the publisher and may not be reproduced (even extracts) unless permission is granted. Every care has been taken to ensure the accuracy of the information contained in this publication but no liability can be accepted for any loss or damage whether direct, indirect or consequential arising out of the use of the information contained herein.

Publication 6620 EN · June 2008 · Printed in Sweden on environmentally friendly paper.